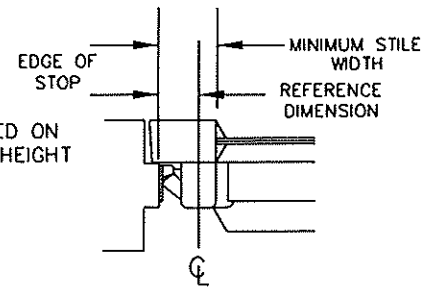


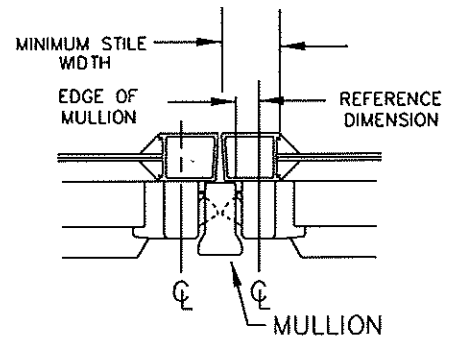
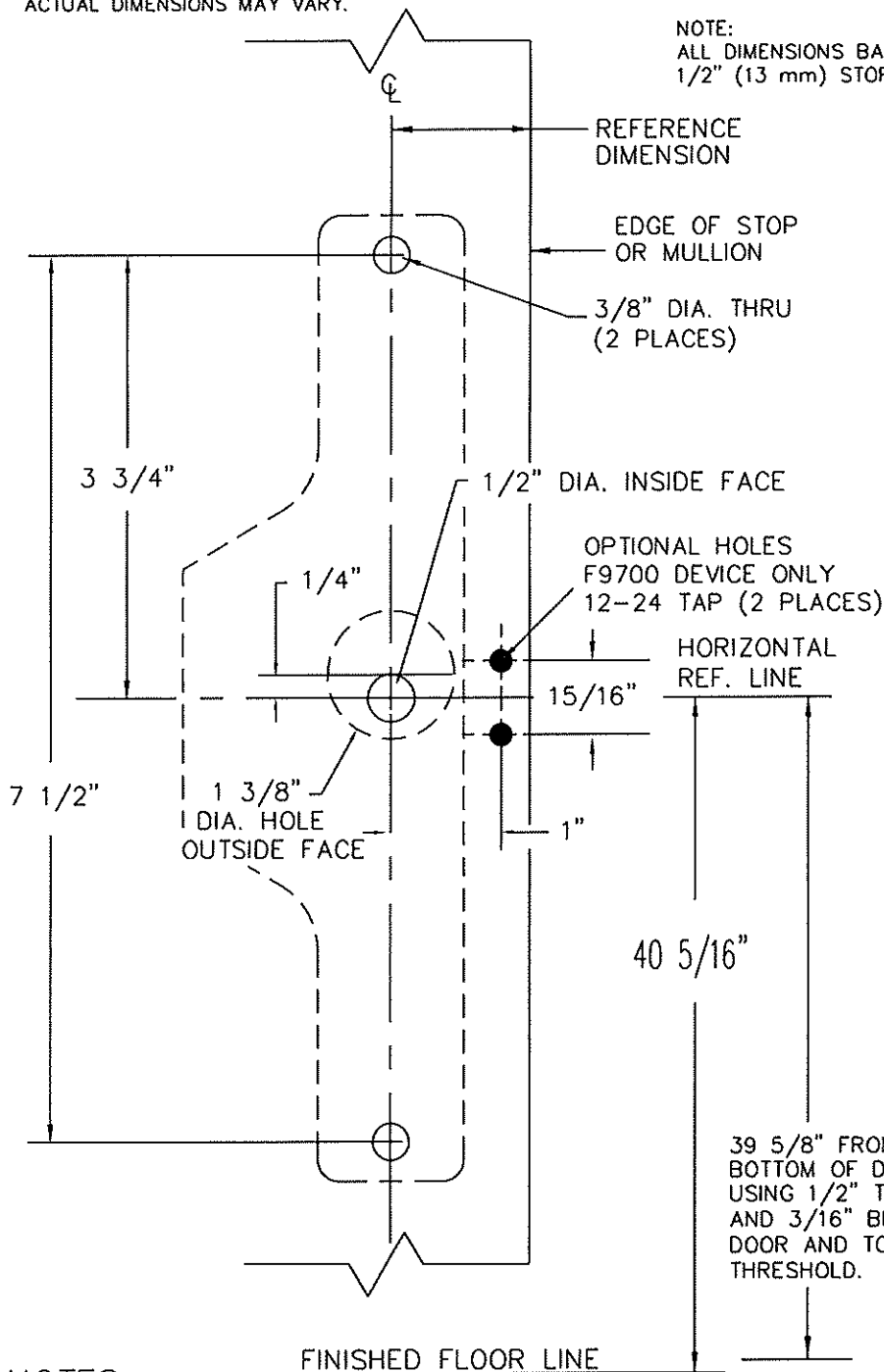
① DO TO VARIANCES IN CYLINDER MANUFACTURERS ACTUAL DIMENSIONS MAY VARY.

RHR SHOWN
LHR OPPOSITE

NOTE:
ALL DIMENSIONS BASED ON 1/2" (13 mm) STOP HEIGHT



	STRIKE	REFERENCE DIMENSION	MIN. STILE
EDGE OF 1/2" STOP	430	1 3/8"	2 9/16"
	486, 463	1 1/2"	2 11/16"
	425, 443	7/8"	2 1/8"
BLADE (CUTOUT)	430	1 3/8"	2 1/8"
	486, 463	1 1/2"	2 3/16"
	425, 443	N/A	



MULLION	STRIKE	REFERENCE DIMENSION	MIN. STILE
1310	443	7/8"	2 1/4"
	486, 463	1 1/2"	2 7/8"
1330	430	1 3/8"	2 15/16"
	486, 463	1 1/2"	3"
F1300 1340KR	430	1 3/8"	3 3/16"
F1340KR	486, 463	1 1/2"	3 1/4"

39 5/8" FROM BOTTOM OF DOOR USING 1/2" THRESHOLD AND 3/16" BETWEEN DOOR AND TOP OF THRESHOLD.

NOTES:

1. SEE MASTER SHEET #T-0001 FOR SUGGESTED DOOR REINFORCEMENT.
2. SEE ADDITIONAL TRIM TEMPLATE WHEN REQUIRED.

REV. No. 1

REVISION: Remove strike

DATE: 7-20-15

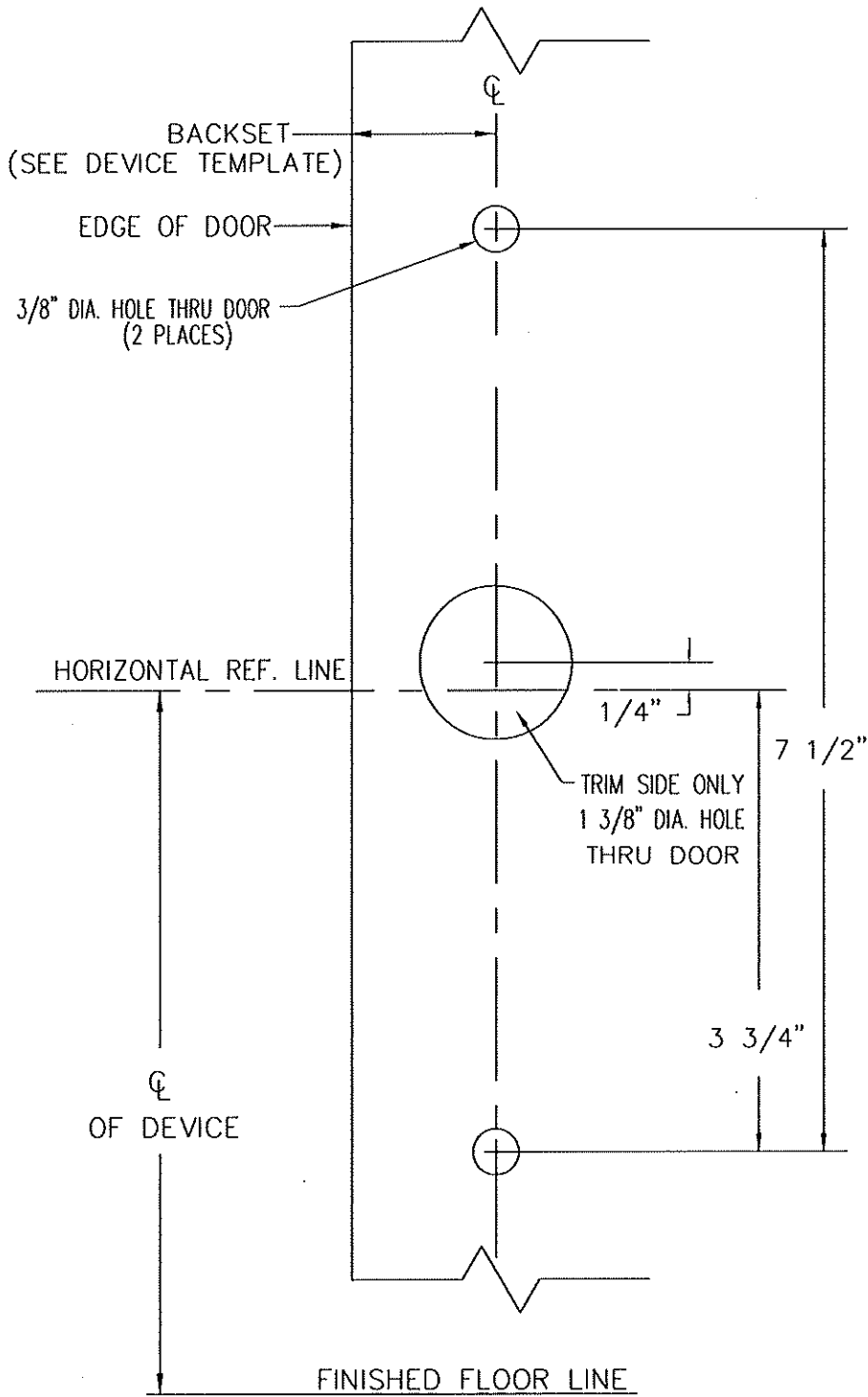


9700 & F9700 x 03 TRIMS
RIM TYPE EXIT DEVICE

TEMPLATE NUMBER


T-9703 ①

RHR SHOWN
LHR OPPOSITE



NOTES:

1. SEE MASTER SHEET #T-0001 FOR SUGGESTED DOOR REINFORCEMENT.

REV. No. 2	REVISION: Hole Depth	DATE: 5-31-16
	<p>Z003, ZP03, Z*03R TRIMS</p> <p>Note; * Denotes all Lever Design Styles</p>	<p>TEMPLATE NUMBER T-9032②</p>